



# EVORTLE

a BEYER brand

# CT 535



MOBILE  
JAW  
CRUSHER

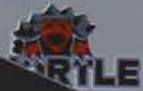
[evortle.com](http://evortle.com)

CT-1



CT-535

CT1535



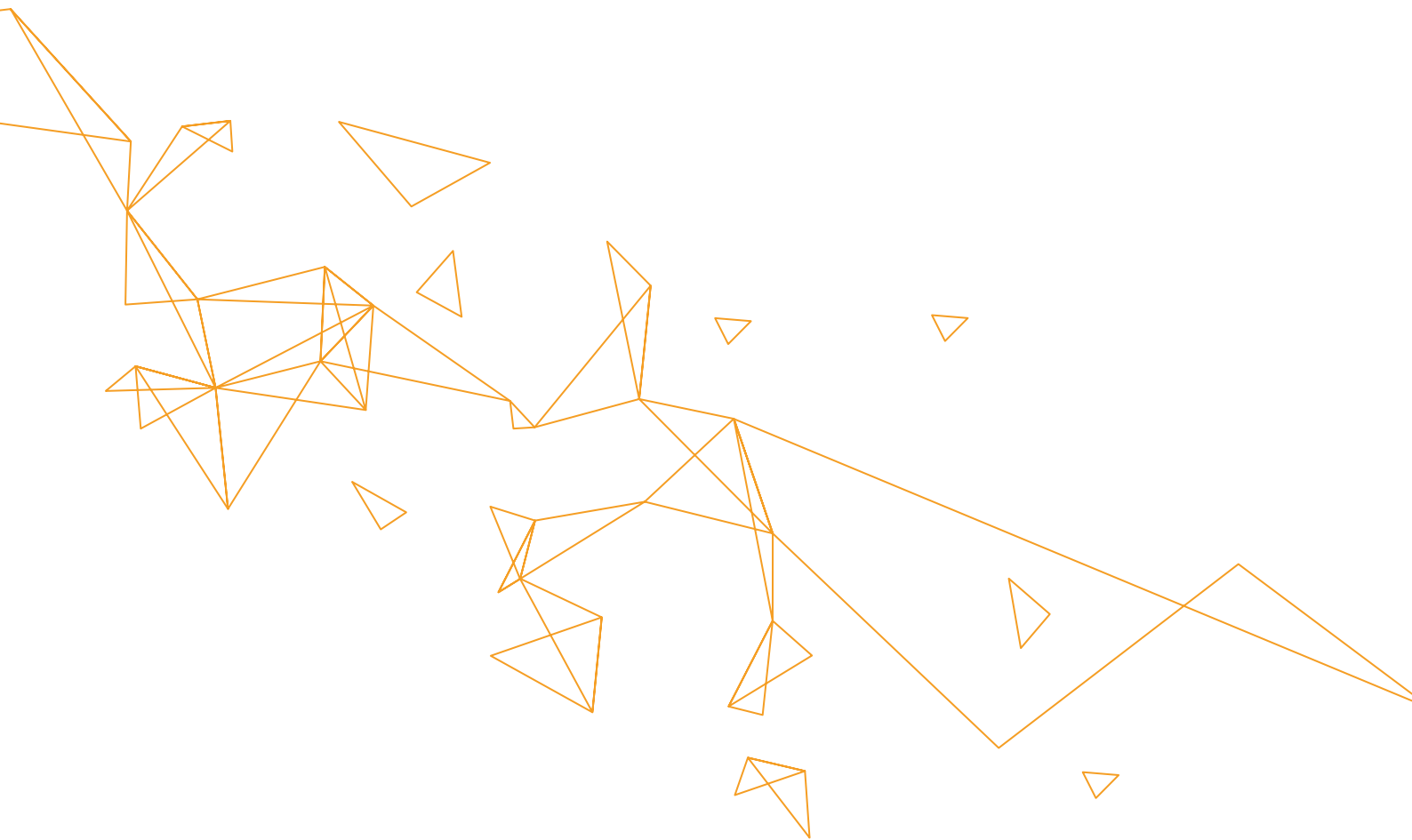
BEYER brand


535



  
EVORTLE

CT535





To let you  
produce more  
efficiently;

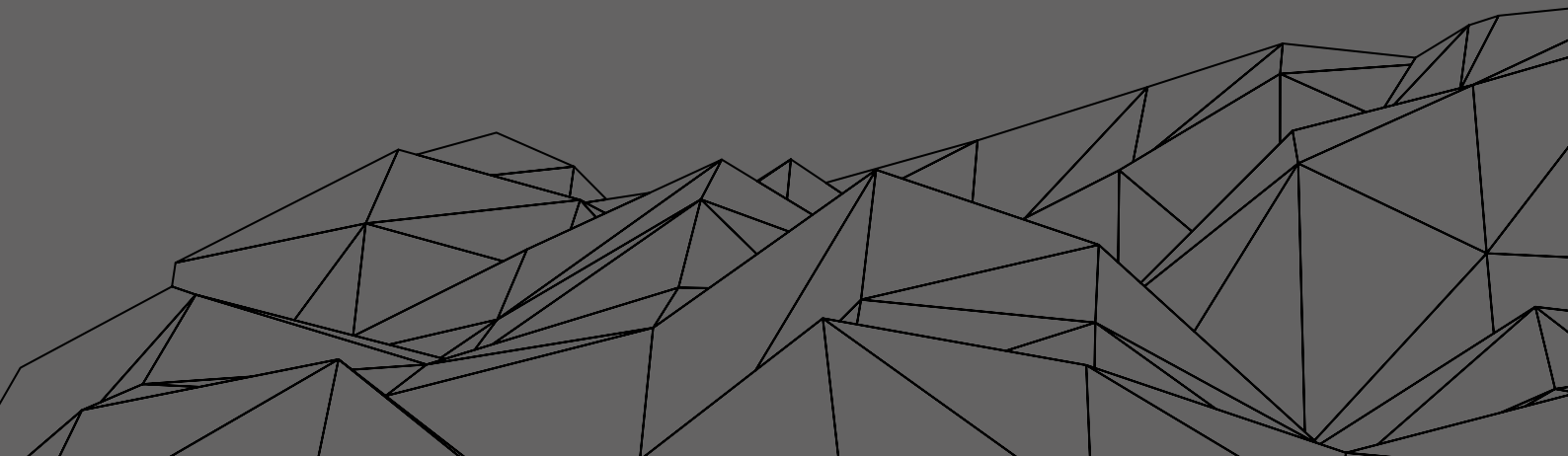
**Evortle!**

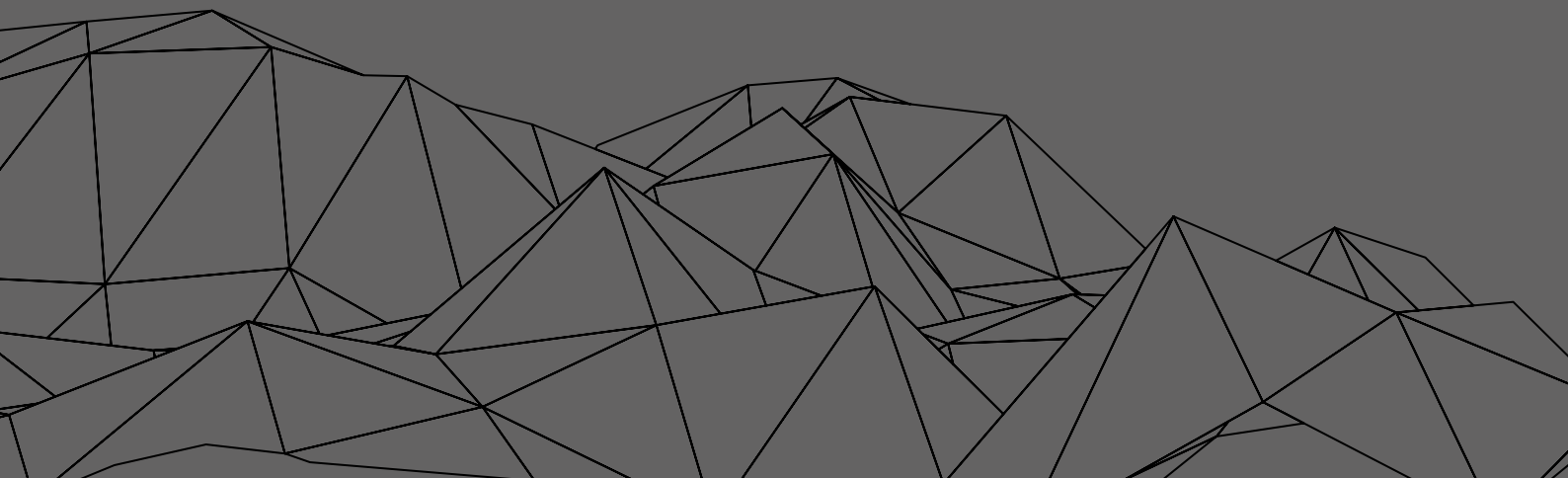
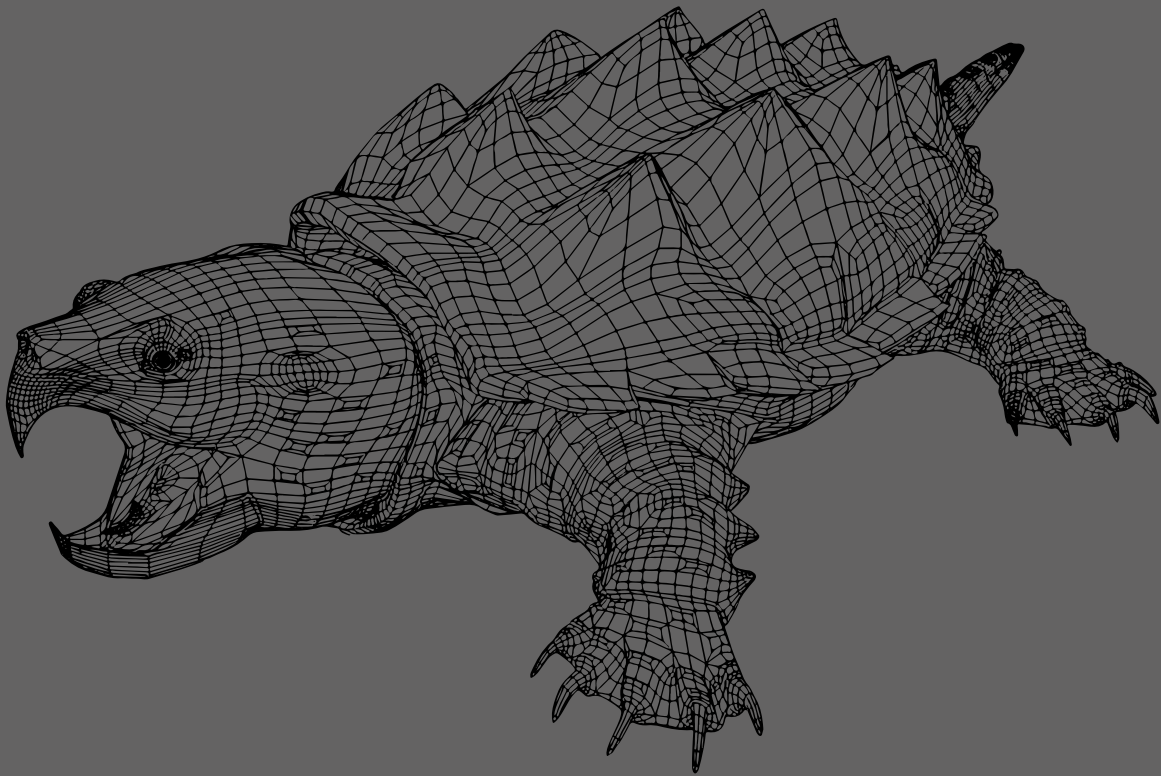
# About

## Us

Evortle is a Beyer Brand. Founded in association with the German partnership in 1988 in Turkey, Beyer created Evortle with its experience based on many years, aesthetics, technology and quality. Beyer's know-how, experience in sector and quality and Evortle's modern design and innovation have combined and presented their products which have been generated from our principles of high quality, technological and environmentally friendly, throughout the world.

With a customer-oriented production policy and a new brand with high after-sales service capability, we have always targeted to produce better products that you trust more. For a greener world, Evortle and Beyer offered mobile crushing, screening and recycling plants into your service. Like its products in different segments, it offers you solution-oriented for different environments and in diverse capacities in the mobile screening plant.





Evortle is dedicated to manufacture products, specialized in mobile jaw crushers. Evortle has designed Jaw Crushers to meet the customer demands of primary crushing needs with reliability, efficiency and high performance. Our pioneering mobile jaw crusher **CT-535** is a powerful example. Whatever the duty, **CT-535** jaw crusher yields higher level of productivity, while maximizing the use comfort in a cost efficiency way.

Mobile Jaw Crushers are expected to do reduction and sizing of aggregates for road construction, demolition, recycling,

landscape, quarrying & mining applications. It can crush every kind of material coming from building demolition or material crushing such as concrete, reinforced concrete, marble, rocks, rubble, bricks, tiles etc. transforming the waste into a reusable material.

Being fully remote controlled and easy to transport, it allows for fast and simple set-up and working procedures by a single operator. Also it increases personal safety during operation of the crusher or an excavator or loader working on site.





Bring the crusher to the working field, select the desired output size, push the start button for running the crusher and conveyor system and start crushing in less than 5 minutes.

Evortle **CT-535** comes complete with a diesel engine. The machine can be powered from that high performing hydraulic feed drive and able to work wherever you may not have access to other power sources. Jaw crusher can be adjusted hydraulically so changing the product size takes less than one minute. The output product sizes to range from 20mm up to 100mm with the help of hydraulic adjustable jaw.

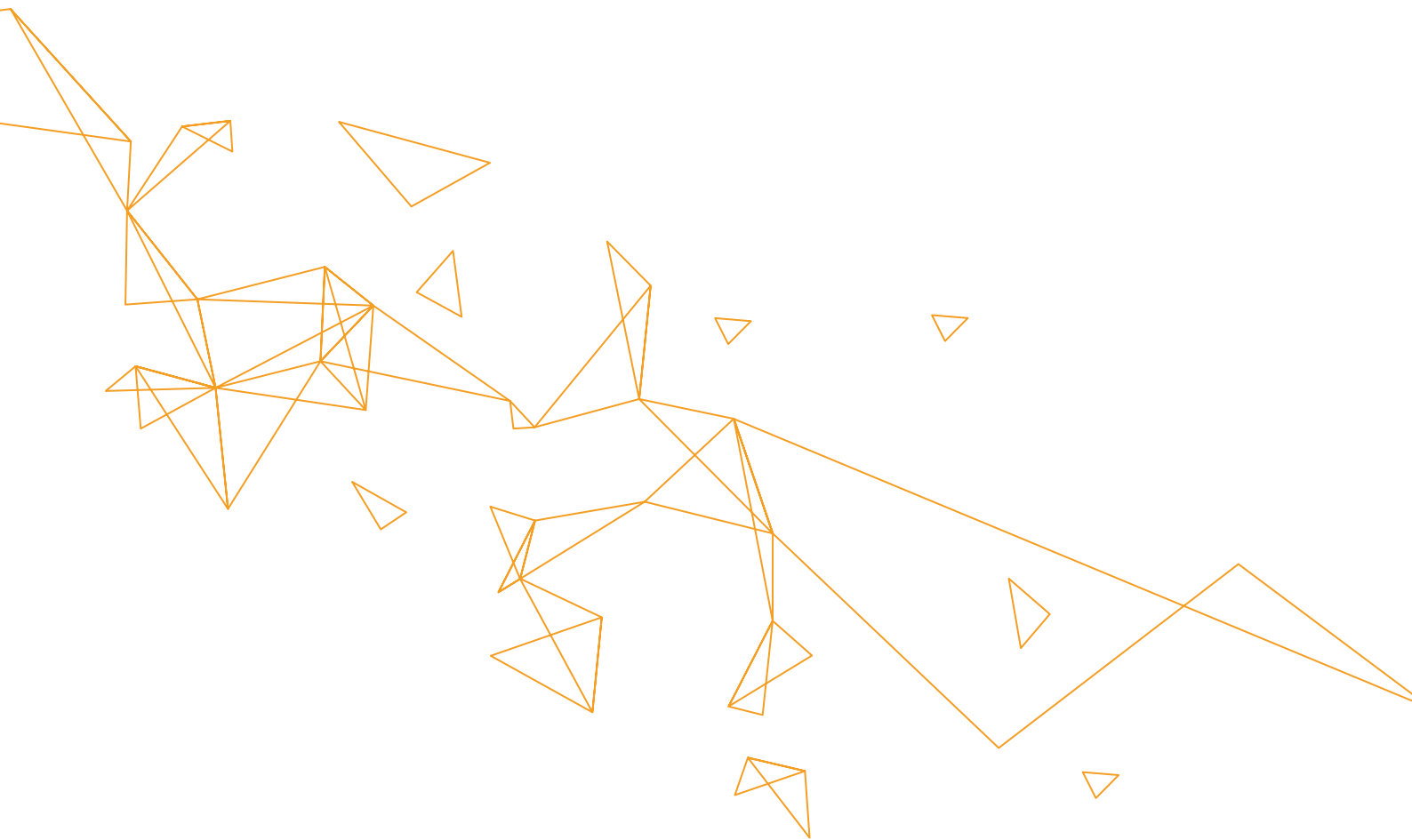
**CT-535** is small enough to fit inside a container of transport to decrease transport costs.


Magnetic conveyor is additional function. It removes the steel found in the waste and separate it to recycle for additional gain with one operation.

The machine is designed to have easily long survivability with improved all round preventative maintenance.

**CT-535** is an optimal solution for your crushing tasks to maximize your return of investment.







In order you  
do your job  
better, **we are  
doing more  
better!**

## TECHNICAL PROPERTIES

### FEEDING UNIT

Hopper Volume (with extension) (m <sup>3</sup> )	0,7 (0,92 yrd <sup>3</sup> )
Feed Capacity up to Approx. (t/h)	10-50
Width x Length (with extension) (mm)	450x2200 (1' 5,7" x 7' 2,6")
Feed Height (mm)	2200 (7' 2,6")

### CRUSHER

Crusher Inlet Width x Depth (mm)	500x350 (1' 5,7" x1' 1,8")
Crusher Drive Type	Hydraulic Motor
Adjustment Range of Gap Width (mm)	20-100 (0,8"x3,9")
Crusher Gap Adjustment (CGP)	Fully Hydraulic
Crusher Casting Material Manganese - Steel	

### CRUSHING CAPACITY\*

Crushing Capacity with CGP = 30 mm up to approx. (t/h)	15 tone
Crushing Capacity with CGP = 60 mm up to approx. (t/h)	20 tone
Crushing Capacity with CGP = 100 mm up to approx. (t/h)	30 tone

\*The capacity given below may change according to the strength and size of the material.



**CRUSHER DISCHARGE CONVEYOR**

Width x Length (extended) (mm)	500x3000 (1' 5,7"x 9' 10")
Discharge Height Approx. (extended) (mm)	1750 (5' 8,9")
Conveyor Belt Type	Herringbone

**POWER SUPPLY UNIT**

Drive Concept	Diesel - Hydraulic Pump
Euro Diesel Engine	Hatz 4H50TICD
US Diesel Engine	Hatz 4H50TIC
Power	From 28.7 to 55 kW
Output	74 HP
Torque	Max. 240 Nm
Generator (kVA)	Generator is Not Available in CT535

**TRANSPORT**

Transport Height Approx. (mm)	2200 (7' 2,6")
Transport Length Approx. (mm)	6000 (19' 8")
Transport Width Max. (mm)	1900 (6' 3")
Transport Weight of Max. Configuration (kg)	6500
Overseas Shipment Container	40' HC

**STANDART EQUIPMENTS**

Moving Mechanism	Crawler Set
Remote Control	Wireless Remote Control Including Switchoff Function for Feeding Unit
Control Panel	
Lubricating	Central System

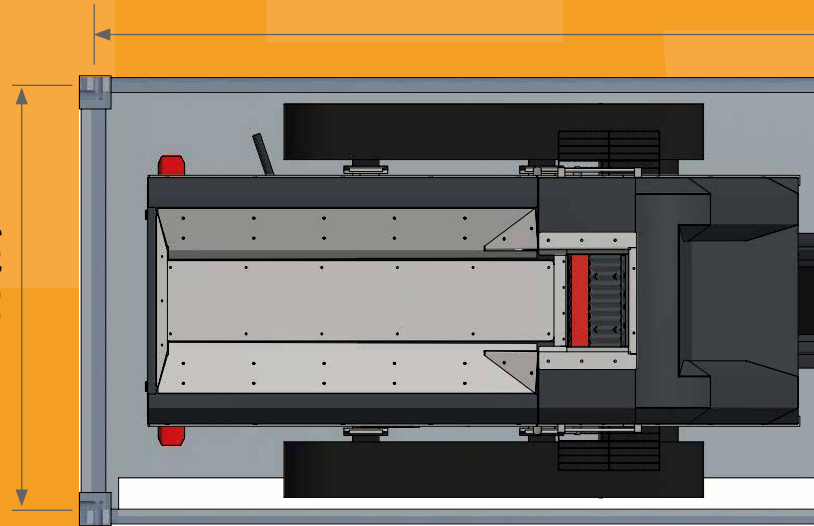
# What Can Be Crushed?

**CT-535** is for coal, rubble, concrete, tile, brick, briquette, stone, ores, marble... please take an advice for your special crushing needs...

# Transportation

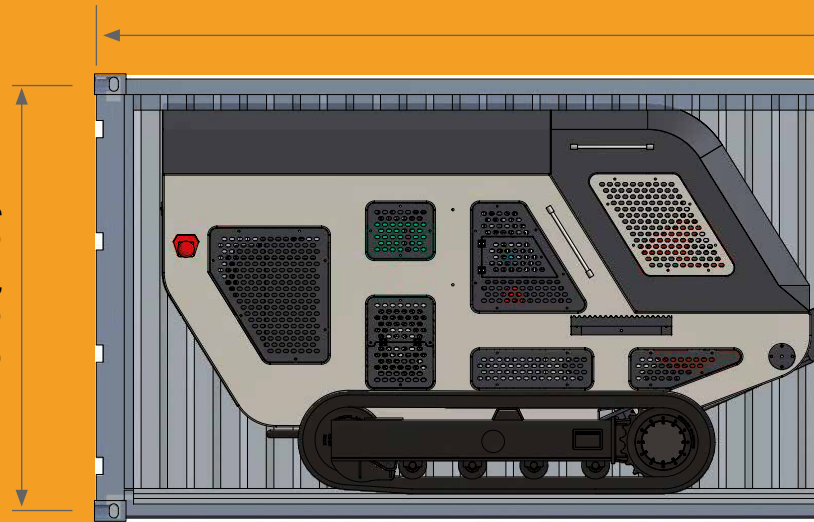


2438 (8')

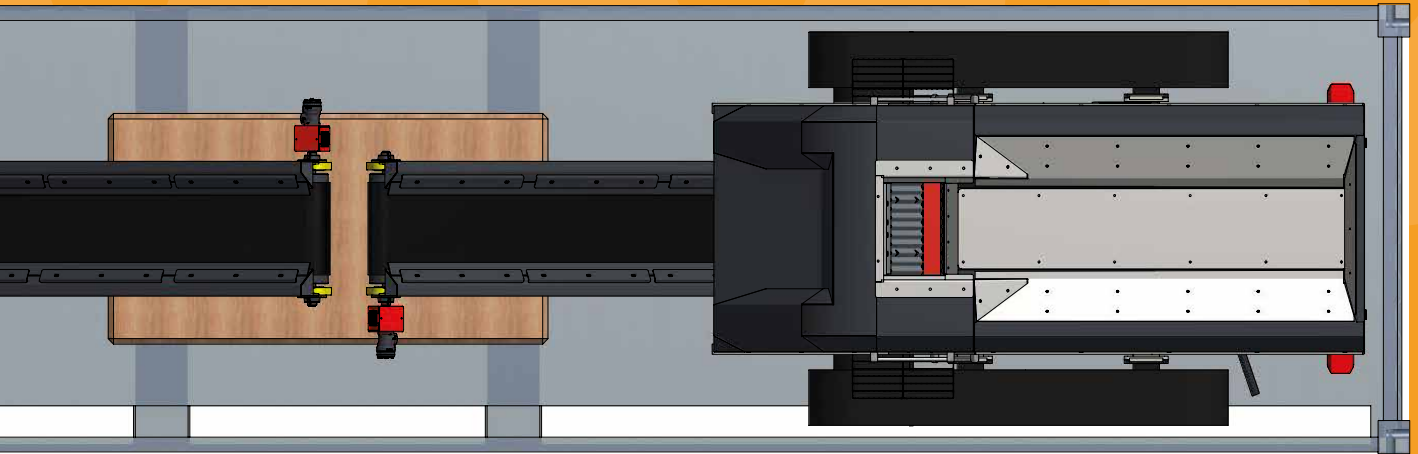


In our small World, containers carry goods overseas. **CT535** is designed to increase its mobility to be carried in a container. And not only one in a container; to decrease the costs of transportation, **two CT535 can be placed** into one container, as seen in the drawings.

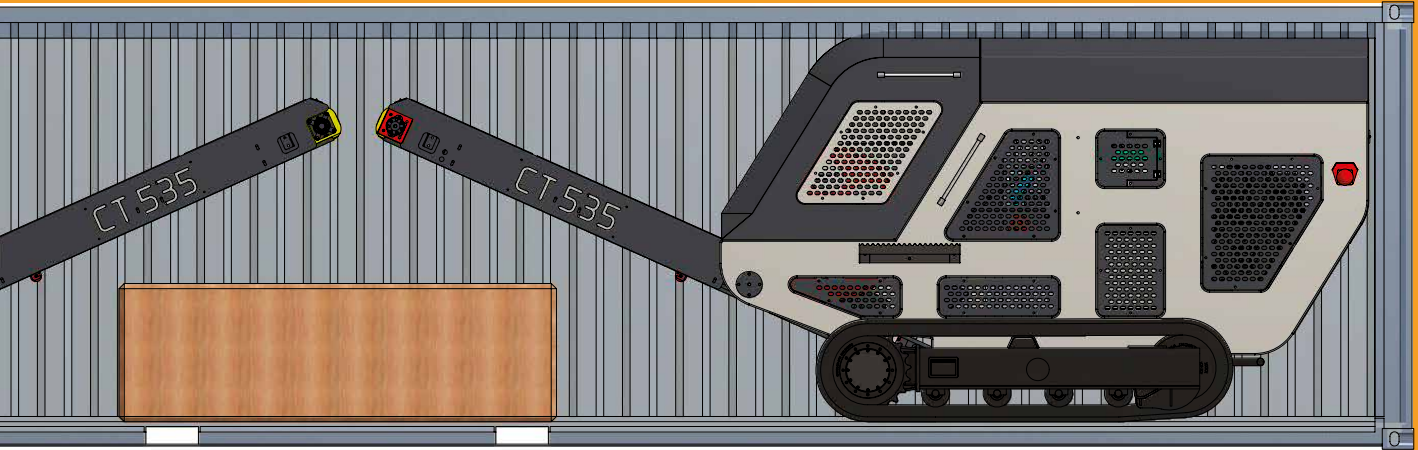
2896 (9' 6")



12192 (40')



12192 (40')



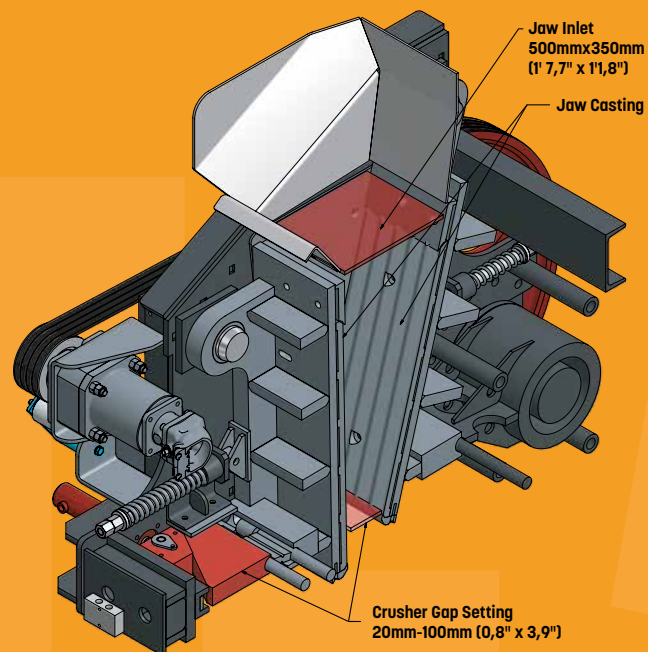
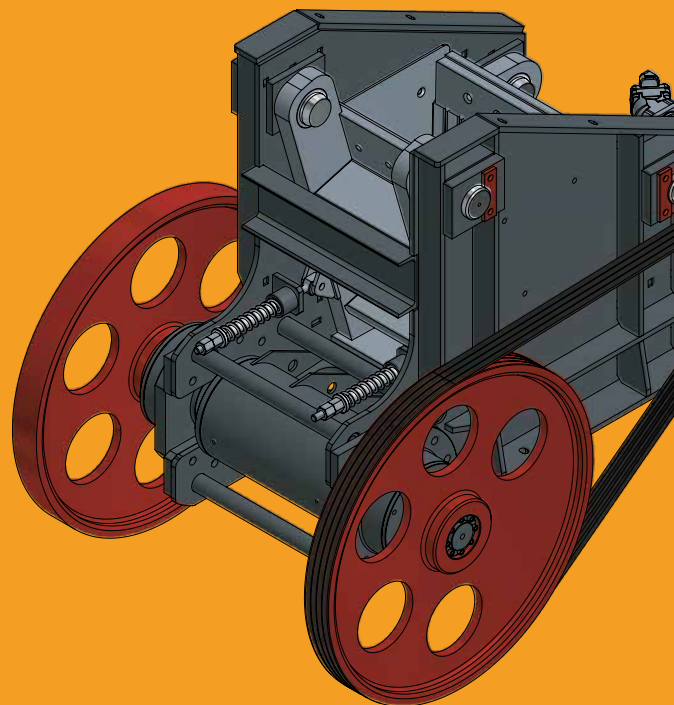
»14  
15«

# Jaw Crusher

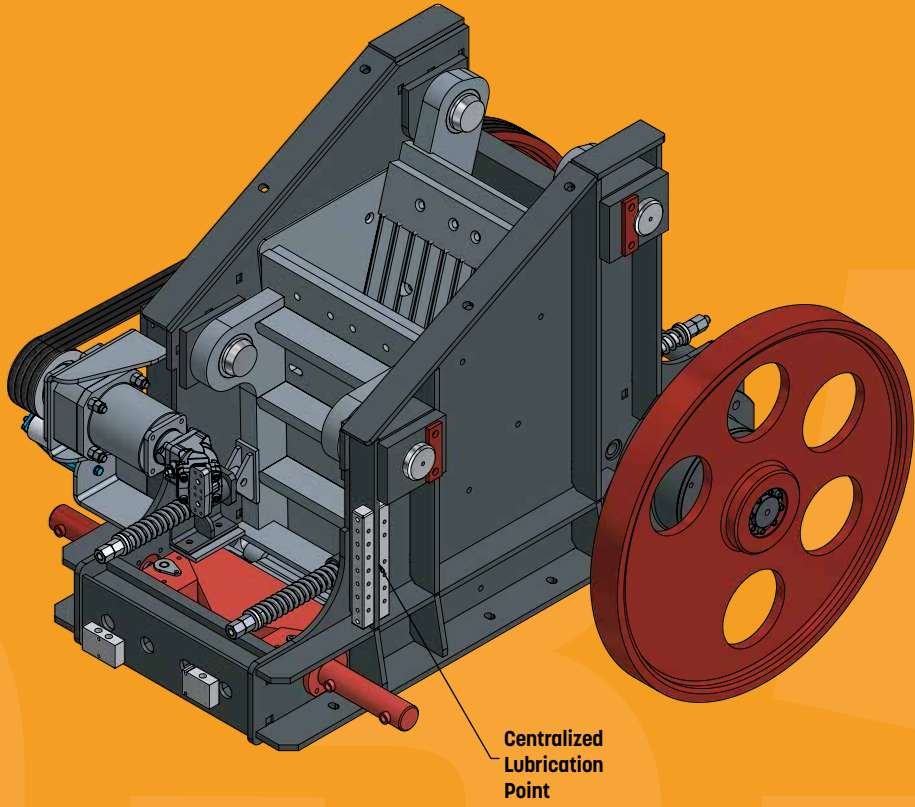
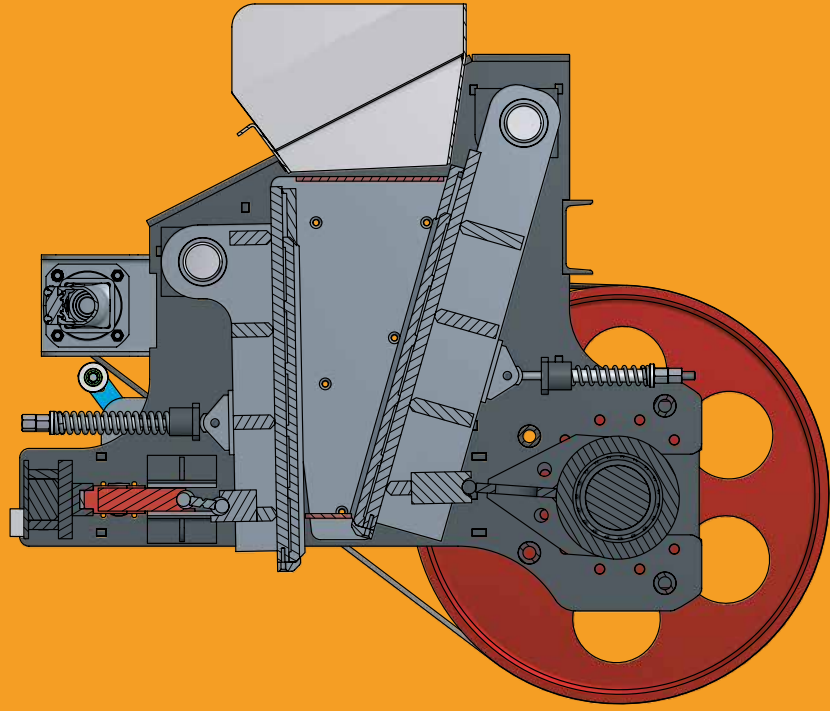
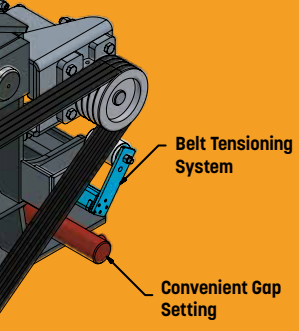
Jaw crushers are mainly the primary stage of material reduction in aggregate processing plants. As a compression type crusher, jaw crusher is comprised of a V-type two casting plates; one is a fixed jaw and the other is moving jaw.

The material enters from the jaw inlet, Jaws crush the materials through the reciprocating movement of the movable jaw that compresses between itself and the fixed jaw with the help of eccentric shaft, and are crushing the material to the desired size. A fixed jaw is the breaking surface, while the movable jaw applies force on the material by compressing it against the stationary plate. The materials are chewed between the jaws until it is small enough to pass through the gap at the bottom of the crusher. The material discharges through the jaw outlet or gap. The adjustable jaw outlet gives the user freedom to choose the product size made by the crusher.

In CT535, the jaw outlet can be adjusted between 20 - 100 mm hydraulically. Jaw castings are made of high-quality hard manganese high carbon steel to sustain for a long life under high working levels.



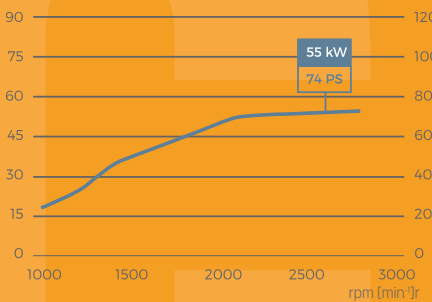




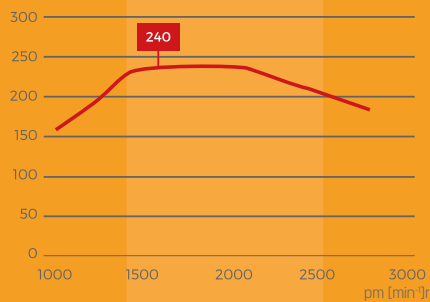


## Diesel Engine: HATZ 4H50TICD - 4H50TIC

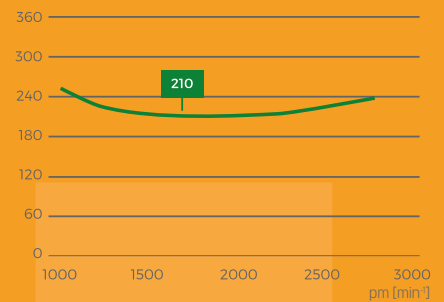
Power [kW / PS]



Torque [kNm]



Fuel Consumption [g / kW]





## ervice upport pare parts

You were a valuable customer until you bought the product; after purchasing, you are now a member of the Beyer / Evortle family.

Combining the experience of the past and today's technology, Beyer engineering takes care to choose the best brands in the world while choosing its suppliers and solution partners in the production process.

Evortle and Beyer Machinery produce machines that can last for many years with little maintenance.

Technical problems that may occur in the machines have been tried to be minimized. We are at your side as Beyer Machinery and our dealers for all kinds of problems and malfunctions.

We know the value of your time. An emergency response to a malfunction occurred in the machine saves both time and money.

We may send qualified Beyer service technicians from our Headquarters to all over the world.

But the main issue is to react any problems locally.

Evortle and Beyer Machinery use products that are eligible in the whole world and that you can easily access around you.

Our diesel engines are Cat, Hatz, Volvo, Perkins and Deutz brands.

Our bearings are SKF. Our hydraulic systems are from Dunfoss and Sun, our cooler is from AKG, our hydraulic filter is from Argo Hytos, and our accessories are from Stauff.

We choose ABB, Siemens and Schneider brands for switch materials in electrical panels.

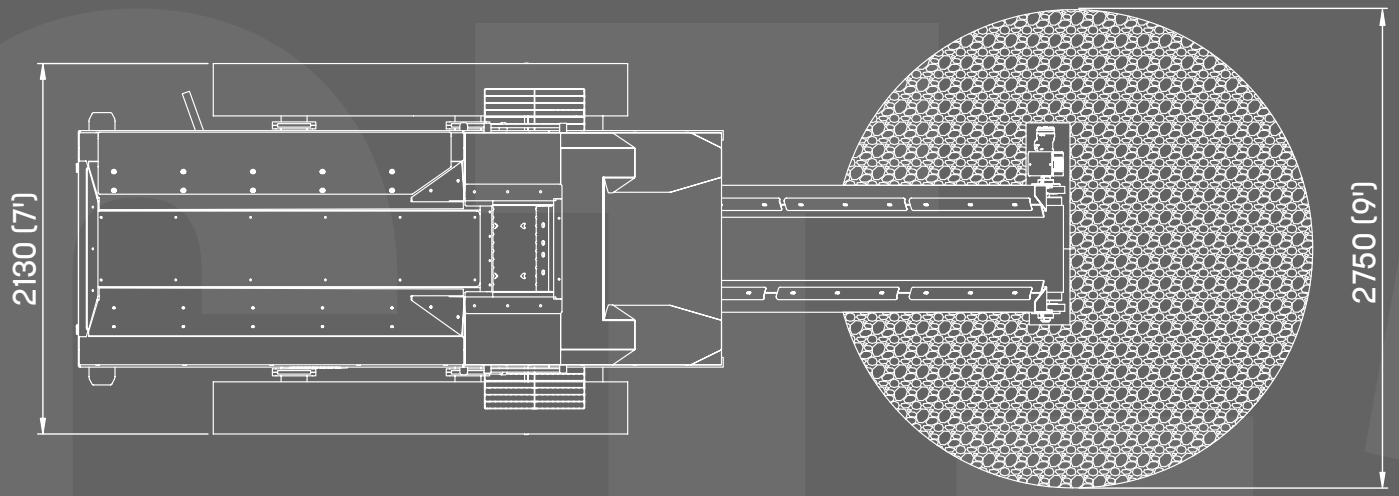
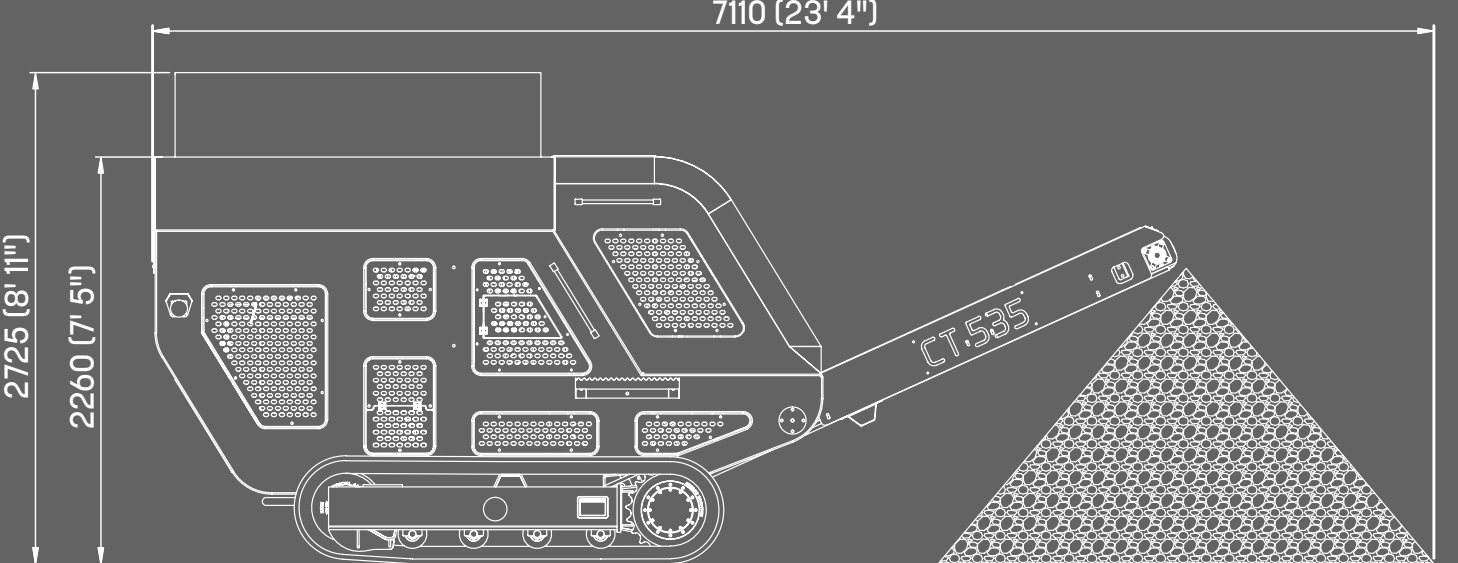
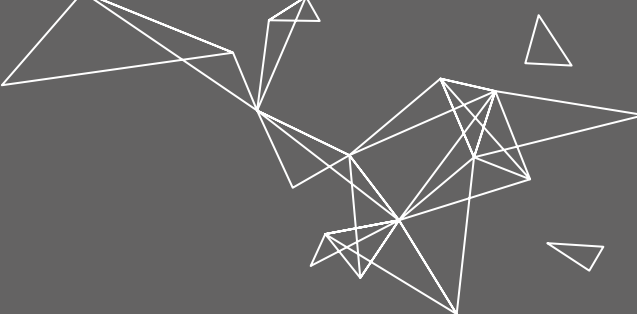
Our remote control systems are manufactured by HBC.

We use Strickland brand tracks as movement system.

Engine fluids and filters are the kind you can find at your local suppliers.

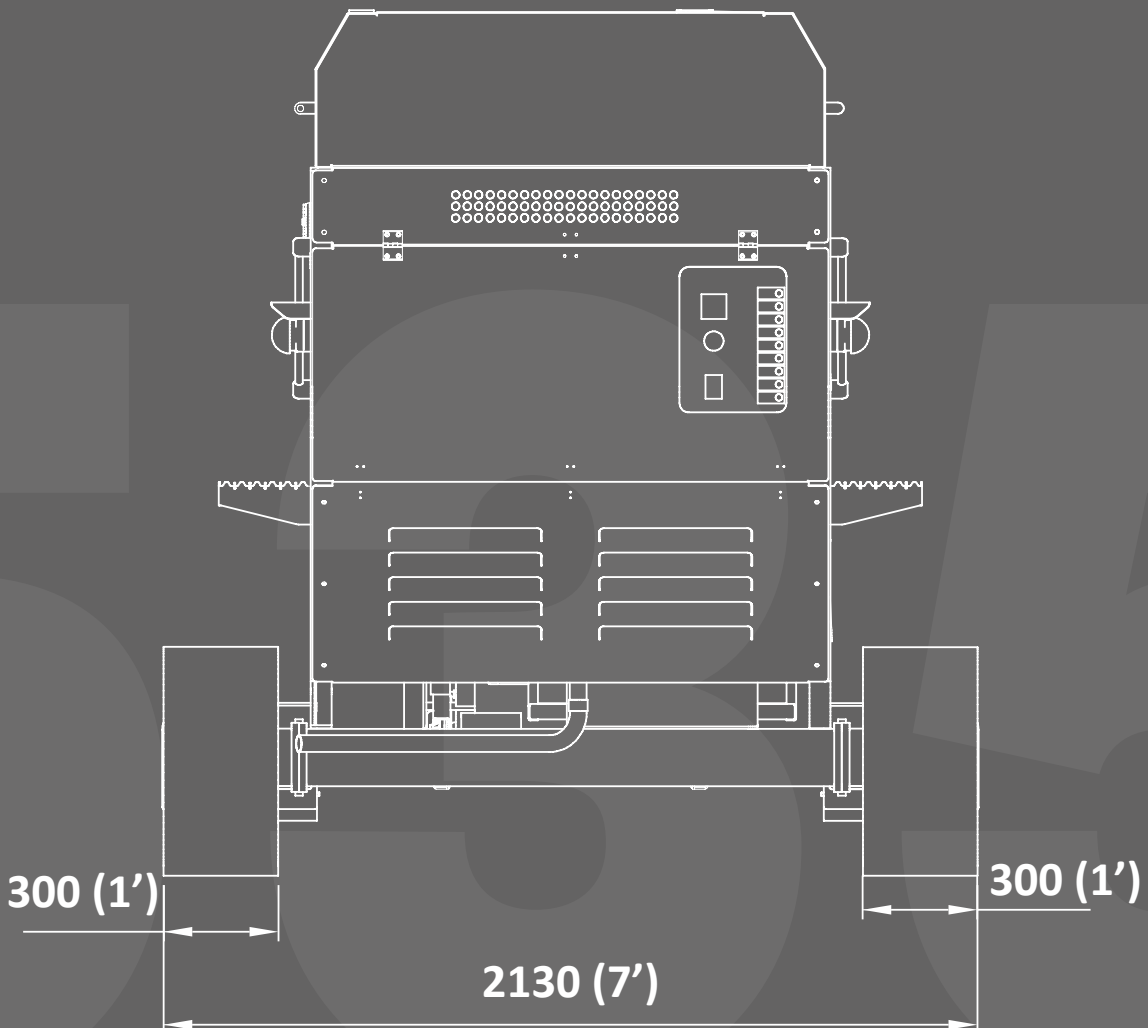
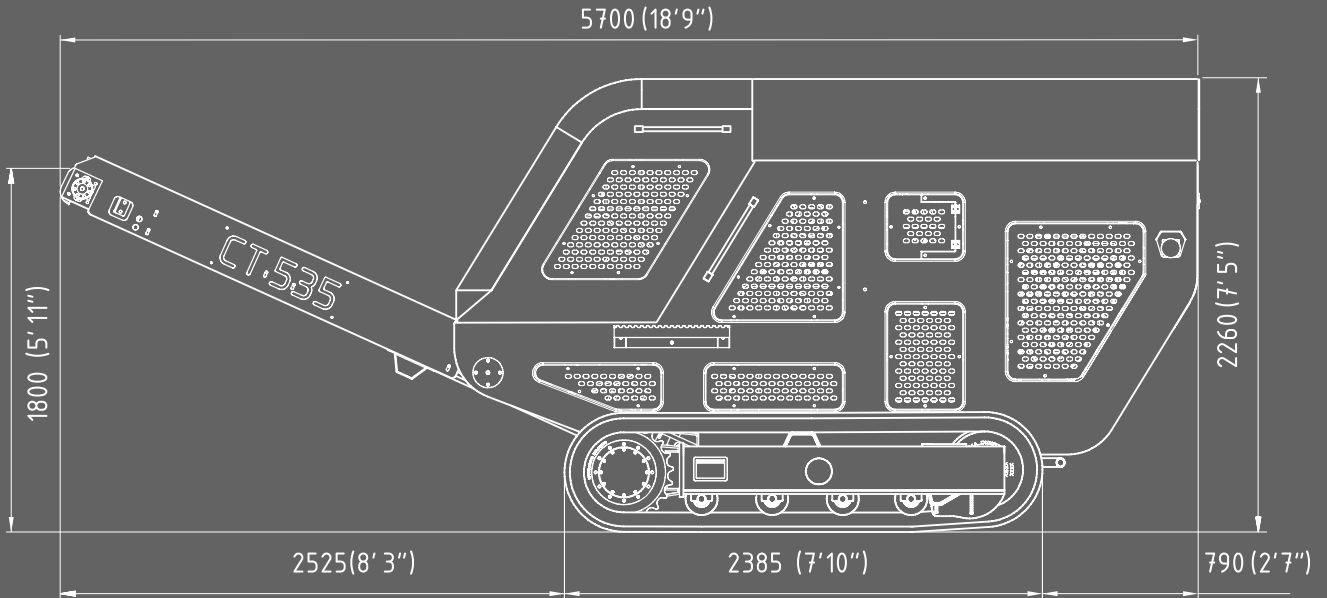
Beyer saves you time and money by using easily available products with a widespread service network in its machines.

# Operational Dimensions



# Transportational Dimensions

CT535



»20  
21«

CT-4



535



EVORILE  
CT535

EVORILE

CT535

BEYER

CT-535



Producer:

**BEYER MAKİNA SAN. VE TİC. LTD.**

General Distributor:

**EVORTLE MAKİNA İÇ VE DIŞ TİC. LTD.**

Saray Mah., Nazım Ercan Bulvarı, No: 36 06980

Kazan, ANKARA / TURKEY

+90 312 815 14 59-60

beyer@beyer.com.tr | [www.beyer.com.tr](http://www.beyer.com.tr)

info@evortle.com | [www.evortle.com](http://www.evortle.com)