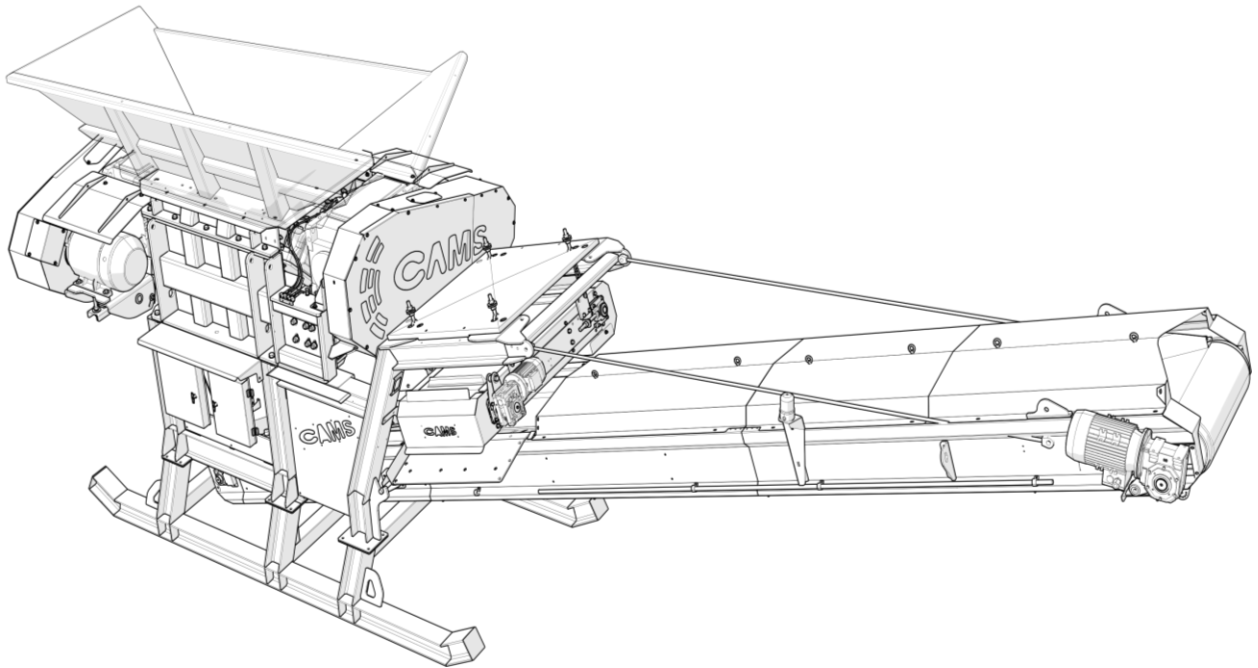


## **Technical Specification UTS 1200**



### **ADVANTAGES**

**High capacity up to 150 t/h**

**Low air pollution**

**Low noise pollution**

**No vibrations**

**Low wear costs and maintenance**

**Changing all the cutting tools on the shafts only takes a few hours.**

**Hydraulic setting adjustment**

All specifications subject to change without prior notice.



**CAMS s.r.l.**  
**VIA Giulio Golini, 301 40024- Castel San Pietro Terme (BO)- Tel. 0516946611**  
**Cod. Fisc. e Part. IVA 02146431206- R.E.A. n° 416377- Cap. Soc. 93.000 euro Int. Vers.**

## **FEATURES**

### **Shredder**

- Type of Shredder FTR1200
- Feed opening mm 1.200x900
- Max feed size mm 600x500x400
- Electric motor kW 37 (18,5+18,5)
- Rotors speed rpm 10
- Max Capacity t/h 150
- Weight Kg 9.000
- V belts and pulleys
- Chuteworks

### **Feeding Hopper**

- Capacity : m<sup>3</sup> 3,20
- Length : m 3,20
- Width : m 2,00

### **Main Conveyor TNL 800x8,00 m**

- Length m 8,00
- Belt width mm 800
- Belt speed m/s 1,4
- Capacity t/h 180
- Electric moto-reducer kW 5,5
- Height discharge m 3,00

### **Overband Magnet**

- Conveyor Length m 1,66
- Belt width mm 650
- Magnet mm 800x600
- Power 420 Gauss at 200 mm
- Electric moto-reducer kW 1,5

### **Electrical control panel**

- Electrical cabinet with interlocking and cabling to motors
- PLC controls
- Incoming cables to control cabinet Excluded
- Volt 400 – 50 Hz

### **Chassis**

Heavy duty fabricated I section of welded construction

All specifications subject to change without prior notice.

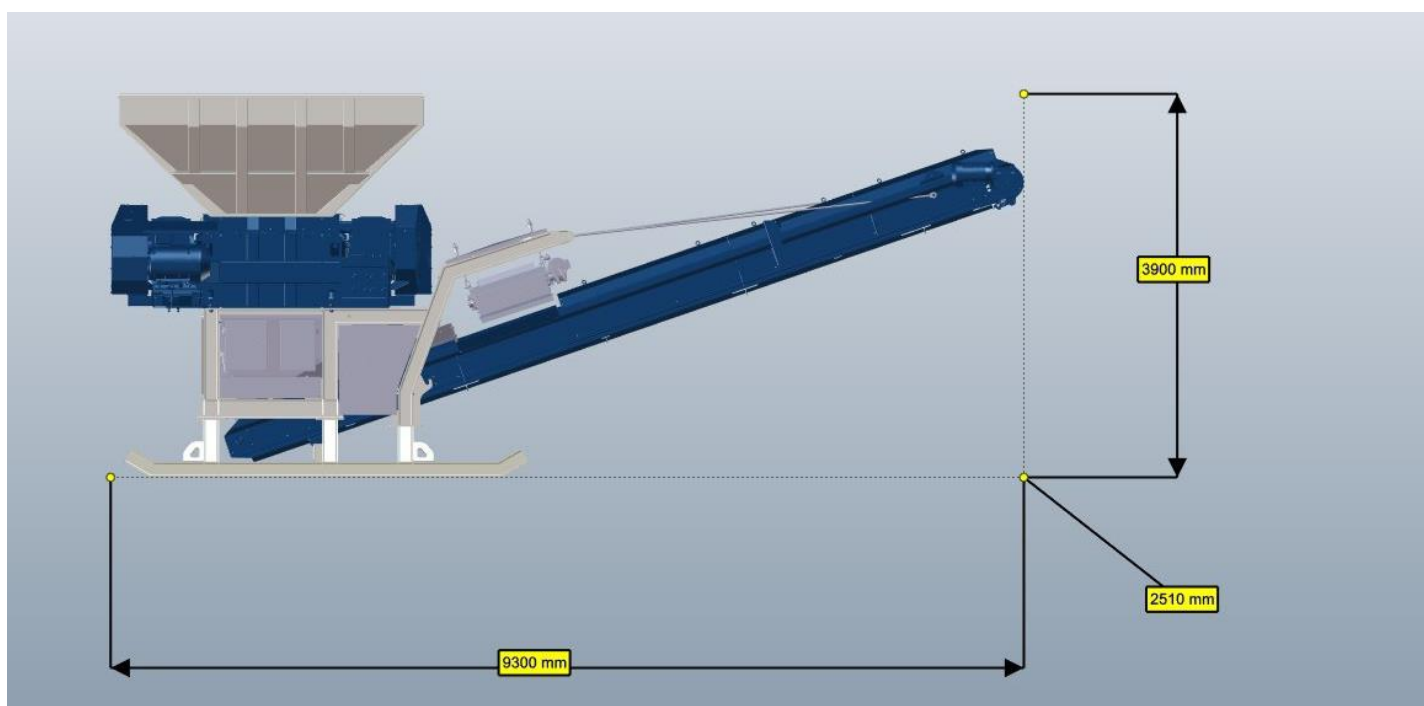


**CAMS s.r.l.**  
VIA Giulio Golini, 301 40024- Castel San Pietro Terme (BO)- Tel. 0516946611  
Cod. Fisc. e Part. IVA 02146431206- R.E.A. n° 416377- Cap. Soc. 93.000 euro Int. Vers.

### Transport Dimension:

- Width m 2,55
- Height m 3,00
- Length m 9,00
- Weight Kg 14.000

### Work Dimension



All specifications subject to change without prior notice.



**CAMS s.r.l.**  
**VIA Giulio Golini, 301 40024- Castel San Pietro Terme (BO)- Tel. 0516946611**  
**Cod. Fisc. e Part. IVA 02146431206- R.E.A. n° 416377- Cap. Soc. 93.000 euro Int. Vers.**