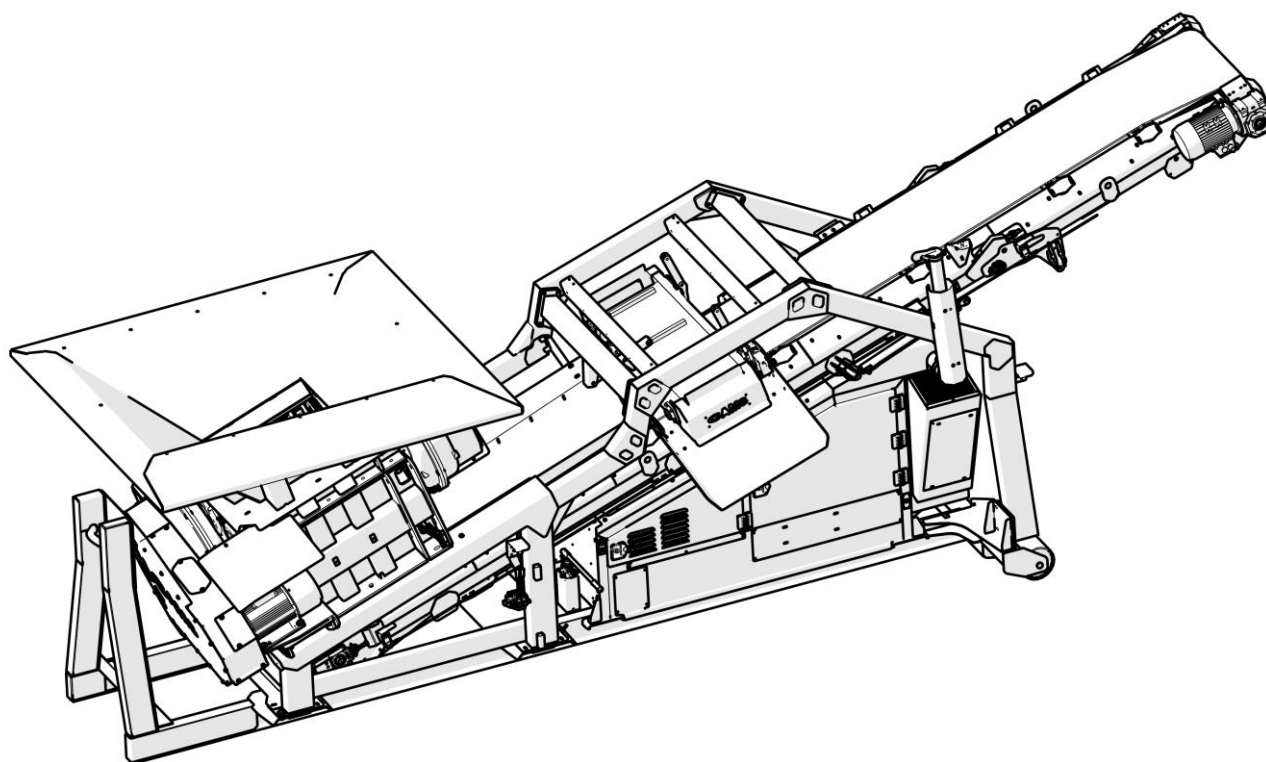


Technical Specification UTH 1000



ADVANTAGES

High capacity

Low air pollution

Low noise pollution

No vibrations

Low wear costs and maintenance

Changing all the cutting tools on the shafts only takes a few hours.

Hydraulic setting adjustment

All specifications subject to change without prior notice.



CAMS s.r.l.
VIA Giulio Golini, 301 40024- Castel San Pietro Terme (BO)- Tel. 0516946611
Cod. Fisc. e Part. IVA 02146431206- R.E.A. n° 416377- Cap. Soc. 93.000 euro Int. Vers.

FEATURES

Shredder

- Type of Shredder FTR 1000
- Feed opening mm 100x900
- Max feed size mm 400x350x300
- Electric motor kW 30 (15+15)
- Rotors speed rpm 10
- Weight Kg 7500
- V belts and pulleys
- Chuteworks

Feeding Hopper

- Capacity : m³ 2,85
- Length : m 3,0
- Width : m 2,0

Main Conveyor TNL 800x7,00 m

- Length m 7,00
- Belt width mm 800
- Belt speed m/s 1,4
- Capacity t/h 150
- Electric moto-reducer kW 5,5
- Height discharge m 3,00
- Hydraulically Folding

Overband Magnet

- Conveyor Length mm 1660
- Belt width mm 650
- Magnet mm 800x600
- Power 420 Gauss at 200 mm
- Electric moto-reducer kW 1,5

Genset

- Diesel Engine: JCB 448 121 kW at 1500 rpm
- Alternator: M.E.C.C. ALTE 130 kVA
- Fuel Tank: lt. 170

Chassis

Heavy duty fabricated I section of welded construction

All specifications subject to change without prior notice.

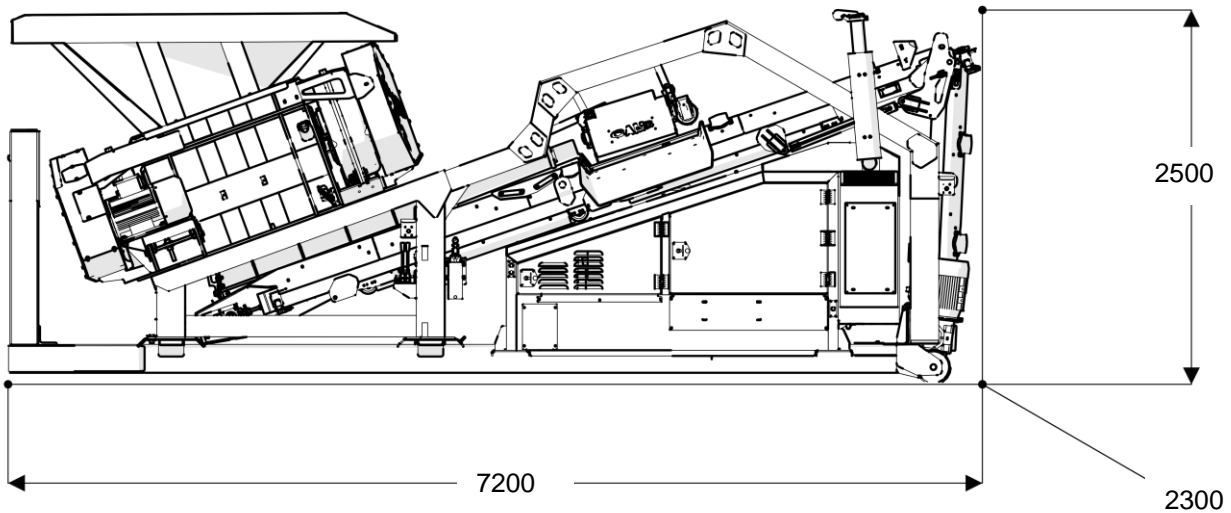


CAMS s.r.l.
VIA Giulio Golini, 301 40024- Castel San Pietro Terme (BO)- Tel. 0516946611
Cod. Fisc. e Part. IVA 02146431206- R.E.A. n° 416377- Cap. Soc. 93.000 euro Int. Vers.

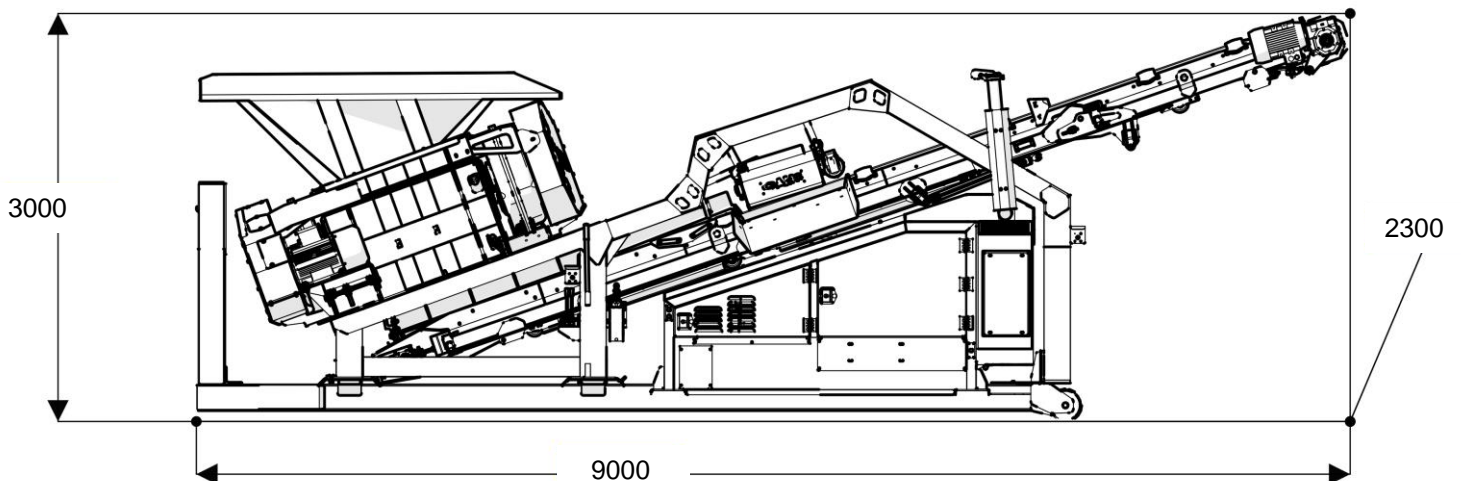
Transport Dimension:

- Width m 2,30
- Height m 2,50
- Length m 7,20
- Weight Kg 15.000

Transport Dimension:



Work Dimension:



All specifications subject to change without prior notice.



CAMS s.r.l.
VIA Giulio Golini, 301 40024- Castel San Pietro Terme (BO)- Tel. 0516946611
Cod. Fisc. e Part. IVA 02146431206- R.E.A. n° 416377- Cap. Soc. 93.000 euro Int. Vers.